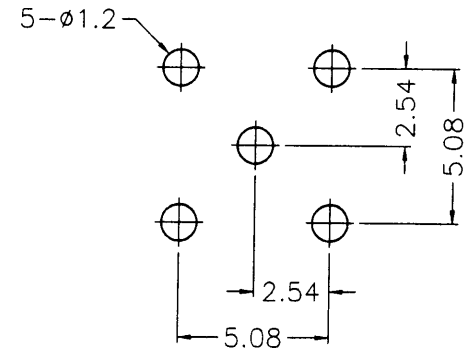
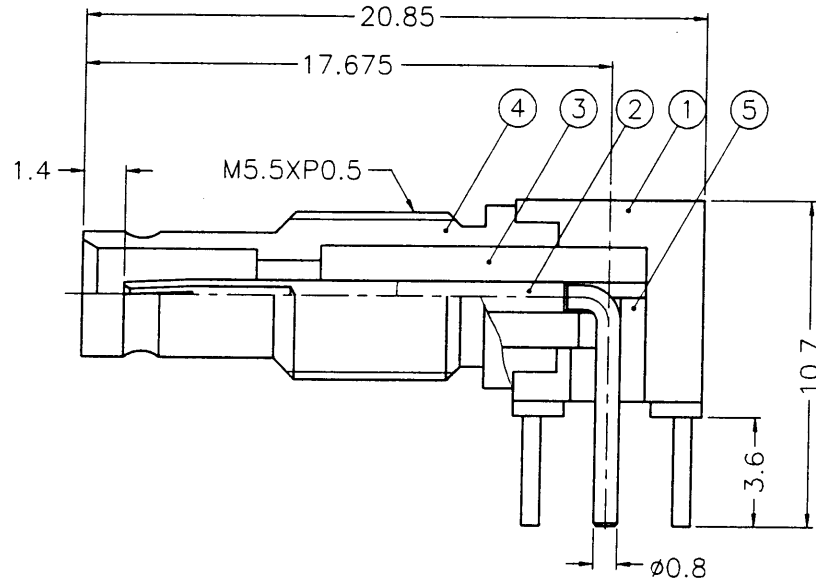
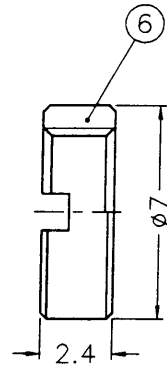


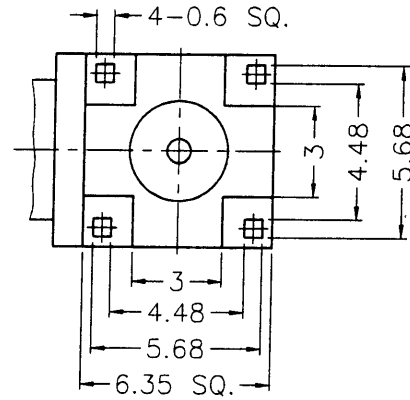
1 2 3 4 5 6 7 8

REVISIONS				
ISS	ZONE	DESCRIPTION\PER REQUEST\DATE		

業務部



PCB MOUNTING HOLE
(印刷电路板架設孔)



NOTES: FINISH (PLATING THICKNESS IN MICRO-INCHES)

1. BRASS PER QQ-B-626
2. BERYLLIUM COPPER PER QQ-C-530
3. NICKEL PL. 100 MIN. THICK OVER COPPER STRIKE
4. GOLD PL. 3 MIN. THICK OVER NICKEL PL. 100 MIN. THICK OVER COPPER STRIKE
5. GOLD PL. 30 MIN. THICK OVER NICKEL PL. 100 MIN. THICK OVER COPPER STRIKE
6. TEFLON MIL-P-19468

中國
2000. 9. 30
設

DIMENSIONS ARE IN MILLIMETERS			
UNLESS OTHERWISE SPECIFIED TOLERANCES			
0.5-6	=	±0.2	
6-30	=	±0.4	
30-120	=	±0.6	
120-315	=	±1	
315-1000	=	±1.6	
1000-2000	=	±2.4	

PART NO.	
APPROVED	DATE 09-29-00'
CHECKED	DATE 09-29-00'
DRAWN	DATE 09-29-00'

Amphenol - Kai Jack	
TAINAN TAIWAN	
TITLE 1.0/2.3 R/A PCB JACK	
DRAWING NO. KJ-1236252L1-N/3GT30G-50	
FILE NO. F:\DWG\123\6252L1\50\N3GT30G	

NO.	DESCRIPTION	MATERIAL	FINISH	Q'TY	DRAWING NO.
6	HEX NUT		NOTE 1	1	123-JACK-SN
5	INSULATOR		NOTE 6	1	1236252L1-5T-50
4	BODY		NOTE 1	1	1236252L1-4
3	INSULATOR		NOTE 6	1	1236252L1-3T-50
2	CONTACT PIN		NOTE 2	1	1236252L1-2
1	HOUSING		NOTE 1	1	1236252L1-1

Work. C
Gackey
Joyce - W

RD-DR10628